



**Nordson MEDICAL**  
805 West 71st Street  
Loveland, CO 80538, USA

+1.888.404.5837  
+1.970.267.5200  
nordsonmedical.com

Date of Correspondence	Planned Date of Change Implementation
<i>October 5, 2018</i>	<i>March through July 2019</i>
Change Notification Number	Sub-Supplier Change Notification Number
PCN390	NA

*Product(s) Affected*

Part Number(s)			
<ul style="list-style-type: none"> <li>• <b>CPAX150- U71, CPAX150-U75, CPAX150-U706</b></li> <li>• <b>CPAN75- U71, CPAN75-U75, CPAN75-U706</b></li> <li>• <b>CPT100-U71, CPT90-U71</b></li> </ul>			
Change Description			
<p>Minor changes to PharmaLok™ Sanitary Clamps (TC Style) CPAX150 &amp; CPAN75 are being made to the hinge area to improve the operation of the clamp when fully opening it to furthest position. See images below for more details. We have observed that there are situations where the two halves of the clamps separate when they are fully opened to remove the sanitary fittings. This change will reduce such occurrences.</p> <p>Changes to the PharmaLok™ Tube Clamps CPT100 &amp; CPT 90 are being made in the latch area to prevent the upper half of the clamp from swiping to the side of the lower clamp when pinching down onto any tubing. See images below for more details. The new rib keeps the upper half aligned to the lower half without the user having to use extra strength to fully engage the latch teeth down into the lower half notch.</p>			
Reason for Change			
Both changes are being made to improve the overall performance of the clamps. While both changes are relatively minor in nature and have minimal impact on form or fit, they will improve the clamps function.			
Change Level			
Level 1 <input type="checkbox"/>	Level 2 <input type="checkbox"/>	Level 3 <input checked="" type="checkbox"/>	Emergency <input type="checkbox"/>

*Supplemental Information*

Implementation Procedure
<p>Will be handled as a running change with no impact or part numbers.</p> <p>Samples Available</p> <ul style="list-style-type: none"> <li>• PharmaLok Tube Clamps (parts beginning with CPT) March 2019</li> <li>• PharmaLok Easy Open Clamp (parts beginning with CPAN and CPAX) July 2019</li> </ul> <p>Product Available</p> <ul style="list-style-type: none"> <li>• PharmaLok Tube Clamps (parts beginning with CPT) April 2019</li> <li>• PharmaLok Easy Open Clamp (parts beginning with CPAN and CPAX) July 2019</li> </ul>
Testing / Validation Information
<p>All models were 3D printed to check fit &amp; function. Tests will be done to verify that when used with fittings that comply with the ASME BPE dimensions and tolerances the clamps are leak free. Testing will also be done to insure no changes to the clamping force have occurred.</p>

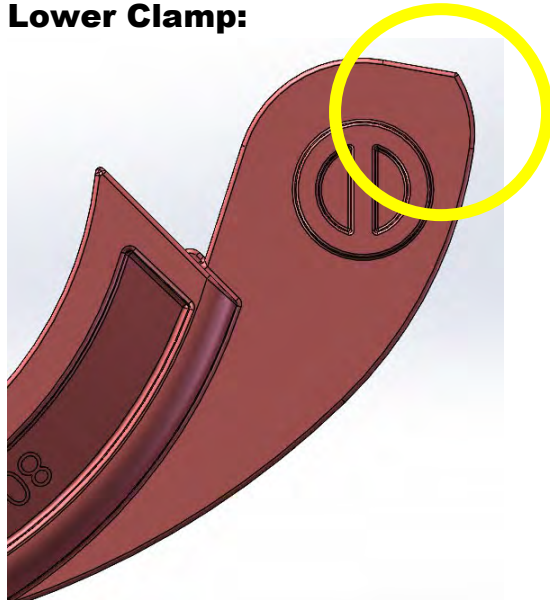
*Single Point of Contact*

Name	Email Address
Change Coordinator	<a href="mailto:Change@NordsonMedical.com">Change@NordsonMedical.com</a>

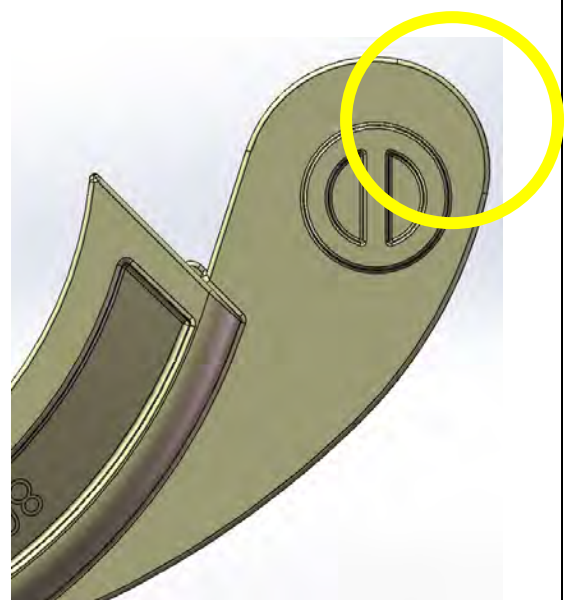
**Description of Change:**

**CPAX150:**

**Lower Clamp:**

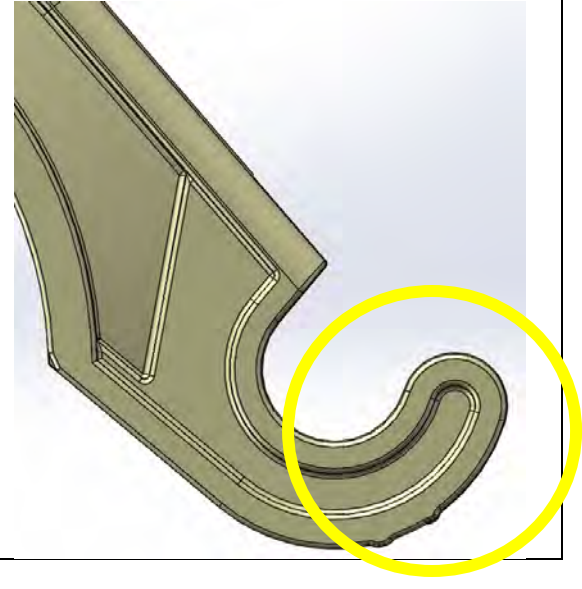


**Before**



**After**

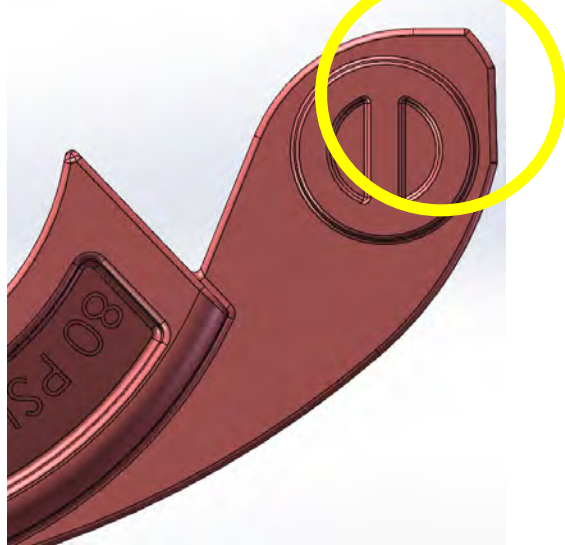
**Upper Clamp:**



**Before**

**CPAN75:**

**Lower Clamp:**



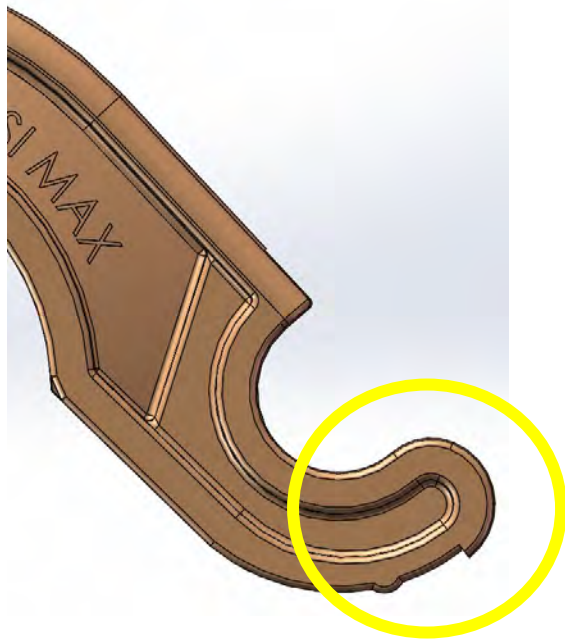
**Before**

**After**

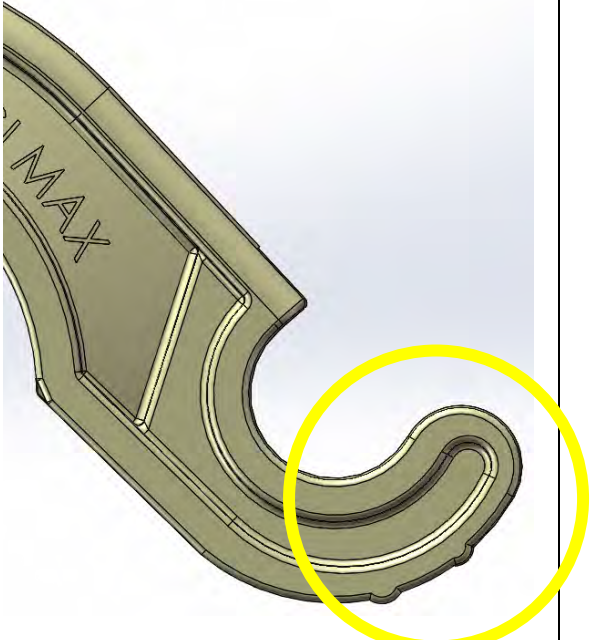


**After**

**Upper Clamp:**



**Before**

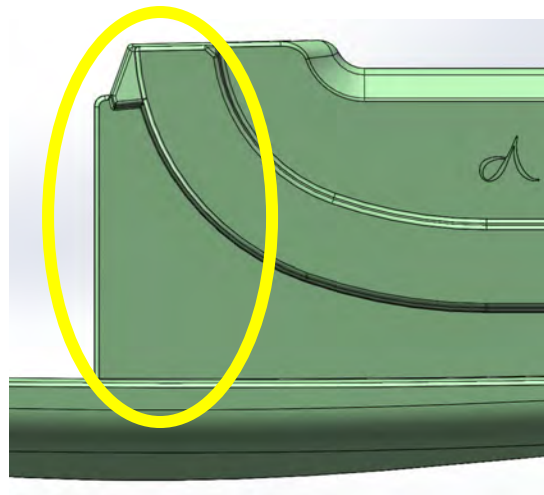


**After**

**CPT100:  
Lower Clamp.**



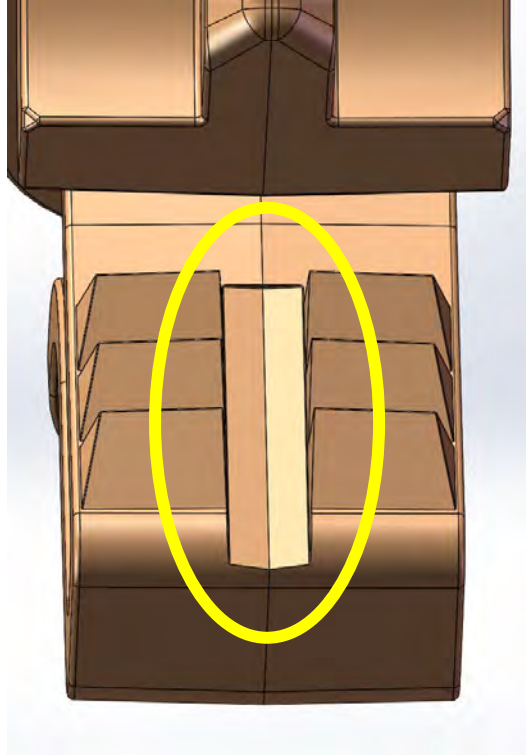
**Before**



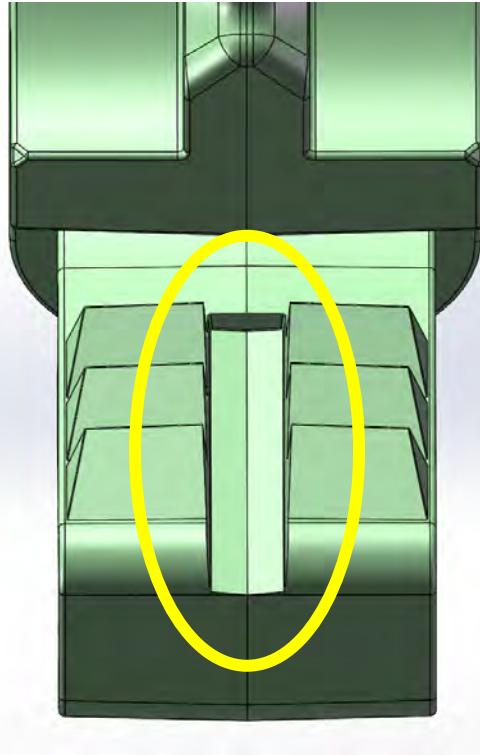
**After**



**Upper Clamp:**

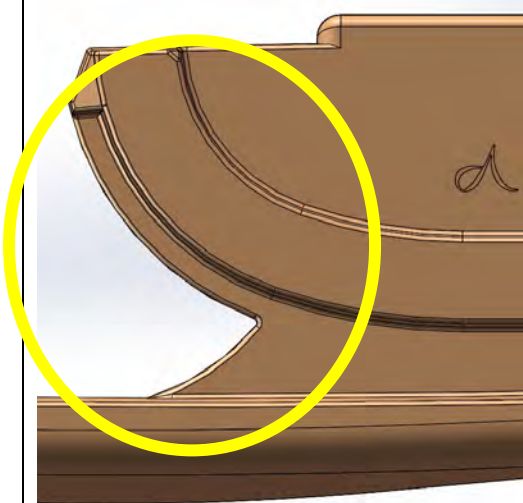


**Before**

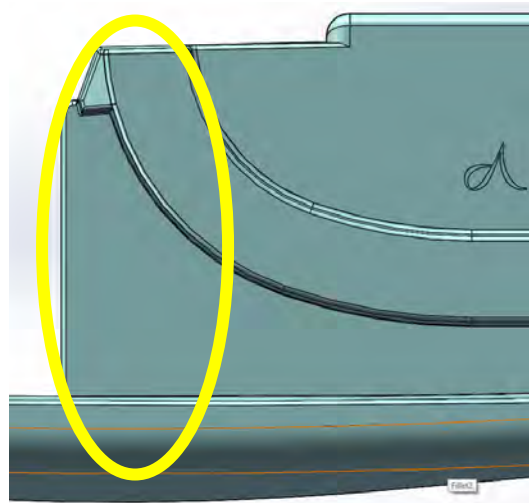


**After**

**CPT90:  
Lower Clamp:**



**Before**



**After**