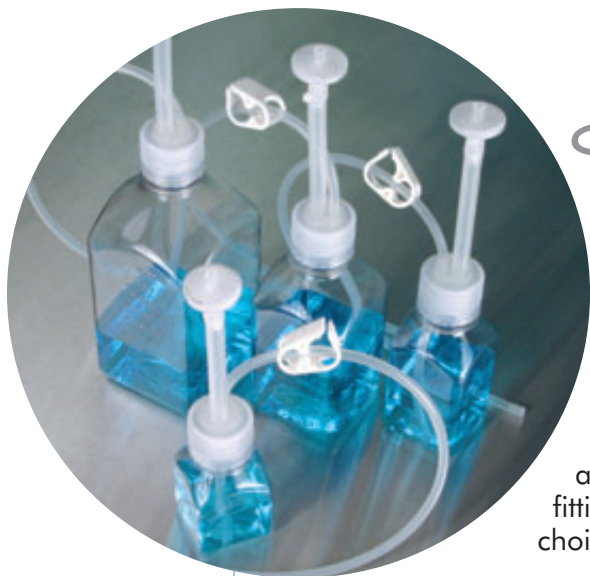


AdvantaFlex® Bottle Assemblies



Sterile Bottle Assemblies, made from AdvantaFlex biopharmaceutical grade TPE BioClosures®, are now available from AdvantaPure. Single-Use Bottle Assemblies provide a ready to use, cost effective solution to reduce on-site component inventory and eliminate cleaning validations.

The robust molded closure design features a continuous flow path that reduces the risk of leaks and contamination associated with barbed style fittings. AdvantaFlex Bottle Assemblies are an ideal choice for aseptic sampling, transfer and filling needs.



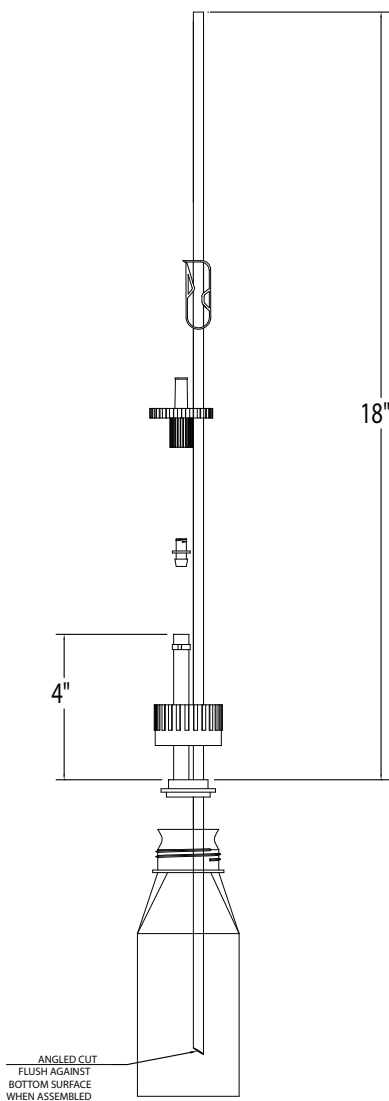
TPE
www.advantapure.com

KEY FEATURES

- Available in four bottle capacities from 125 mL to 1 liter; square PETG bottles
- Easy connections — tubing is sterile weldable and heat sealable
- All Bottle Assemblies come complete with 1/8" I.D. x 1/4" O.D. AdvantaFlex tubing for fluid transfer, 38-430 cap, vent line, filter, pinch clamp and tube plug
- Validated sterility assurance of 10^{-6} via gamma irradiation per ISO 11137 method VDmax 25
- Certified animal derived component free
- Meets various ISO and USP standards, including Class VI
- Meets European Pharmacopoeia 3.2.2.1 standards
- ISO Class 7 clean room assembled
- Custom sizes, lengths and packaging available
- Documented quality control; lot traceable with identification on bags
- Extractables test portfolio available upon request
- AdvantaFlex has a Master File with the U.S. Food and Drug Administration (#28810)



There is a ^{better} alternative



SPECIFICATIONS

Product Number	Bottle Capacity
AFBA-38-0125	125 mL
AFBA-38-0250	250 mL
AFBA-38-0500	500 mL
AFBA-38-1000	1000 mL (1 Liter)



All AdvantaFlex Bottle Assemblies include one square PETG bottle, one 38-430 two-port cap with an AdvantaFlex BioClosure insert, two tubing lines in the insert (one 1/8" I.D. x 1/4" O.D. for fluid transfer, one 1/4" I.D. x 7/16" O.D. for venting), one 0.2 µm vent filter attached to the vent tube with a luer fitting, one pinch clamp, and one plug installed on the fluid transfer tubing.

Bottle Assemblies are supplied double bagged in heat-sealed polybags, gamma sterilized and individually packaged. Custom configurations may be available; contact your AdvantaPure Sales Representative for details.

TPU

Purity in Fluid Flow Systems[®]



Address: NewAge Industries AdvantaPure[®]
145 James Way
Southampton, PA 18966 U.S.A.

Toll Free Phone: **888-755-4370**
Phone: **215-526-2151**
Toll Free Fax: **888-258-4293**
Fax: **215-526-2167**
Web Site: **www.advantapure.com**
E-mail: **sales@advantapure.com**



DISTRIBUTED BY:



©2015 NewAge[®] Industries, Inc. Specifications are subject to change without notice. AdvantaPure products are produced by NewAge[®] Industries, Inc. AdvantaFlex[®], BioClosure[®], Purity in Fluid Flow Systems[®], NewAge Industries AdvantaPure[®], NewAge[®], and the "N" logo are registered trademarks of NewAge[®] Industries, Inc.

WARRANTY: NewAge Industries AdvantaPure products are warranted to be free from defects in material and workmanship. Any product found to carry such defects will be replaced without charge. This warranty is limited only to the replacement of NewAge Industries AdvantaPure products, item for item, which after examination by NewAge Industries AdvantaPure are deemed defective. NewAge Industries AdvantaPure specifically disclaims any other liability. The data supplied is provided as a helpful guideline and is believed to be reliable; however, nothing stated shall constitute a guarantee, recommendation, or warranty for any application.

NOTICE: NewAge Industries, Inc. has been a privately owned corporation since 1954. Neither the corporation nor its principals are affiliated, in any way, with any other group or entity either representing themselves as or being referred to by the term NewAge.